

Illustration - Type - E

3 601 AA0 380
Stand 23-02
Issue 23-05-26

Fig. /Abb. 1

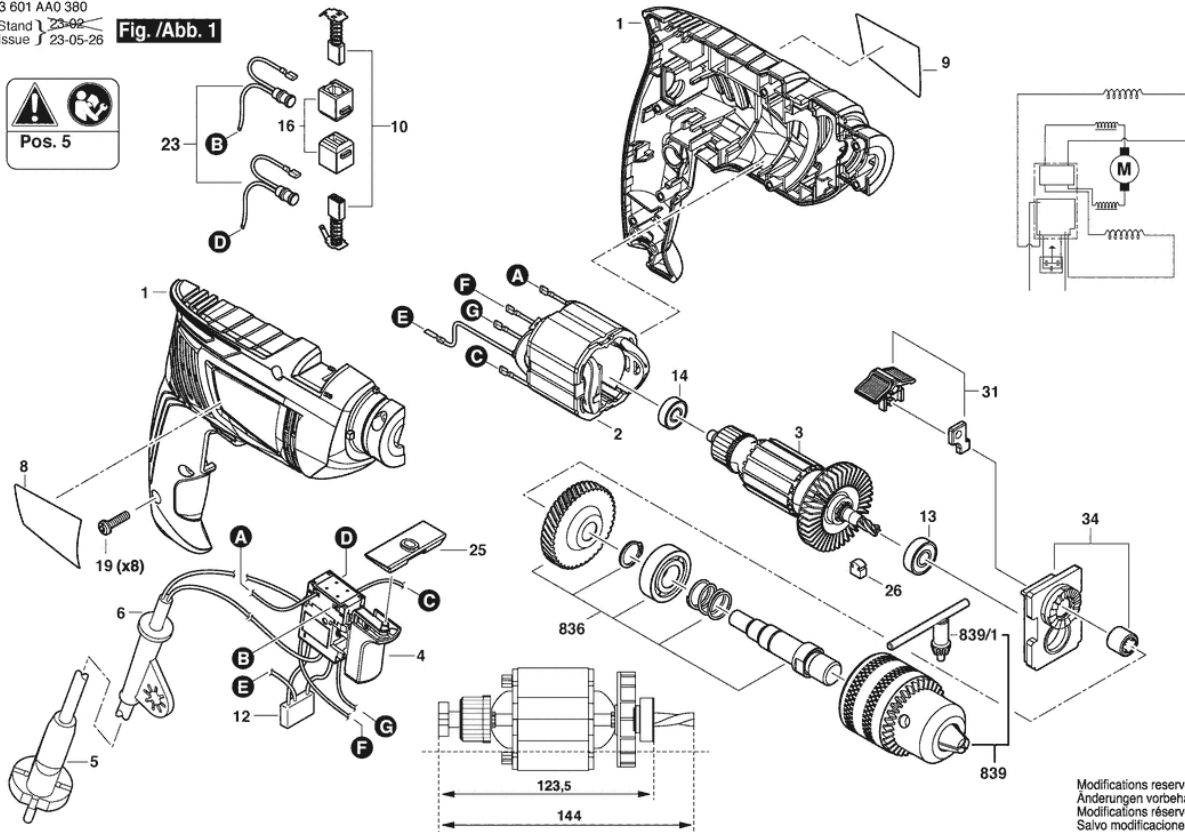
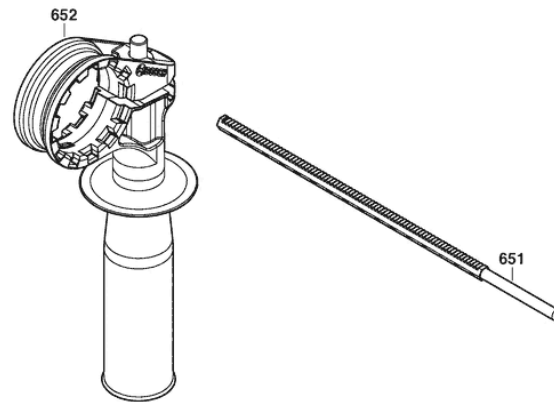


Illustration - Type - E

3 601 AA0 380
Stand | 23-09
Issue | 23-03-13

Fig. /Abb. 2



Modifications reserved
Änderungen vorbehalten
Modifications réservées
Salvo modificaciones

Spare parts list

Item	Part Number	Description	Illustration
1	1 619 PC0 375	Housing	1
2	1 619 PC0 376	Field	1
3	1 619 PC0 377	Armature	1
4	1 619 PC0 378	On-Off Switch	1
5	1 619 PC0 380	Power supply cord	1
6	1 619 PC0 383	Grommet	1
8	1 619 PC0 387	Nameplate	1
9	1 619 PC0 388	Manufacturer's nameplate	1
10	1 619 PC0 389	Carbon-Brush Set	1
12	1 619 PC0 390	Suppression Capacitor	1
13	1 619 PC0 391	groove ball bearing	1
14	1 619 PC0 392	groove ball bearing	1
16	1 619 PC0 393	Brush Plate	1
19	1 619 PC0 394	Torx Oval-Head Screw	1
23	1 619 PC0 395	Wire Harness assembly	1
25	1 619 PC0 396	Lever	1
26	1 619 PC0 397	Felt Seal	1
31	1 619 PC0 398	Change-Over Switch	1
34	1 619 PC0 399	Bearing Bracket	1
836	1 619 PC0 400	Drilling Spindle	1
839	2 608 571 076	Chuck	1
839/1	1 619 PC0 408	Chuck Wrench	1
651	1 619 PC1 939	Depth gauge	2
652	1 619 PC1 940	Auxiliary Handle	2